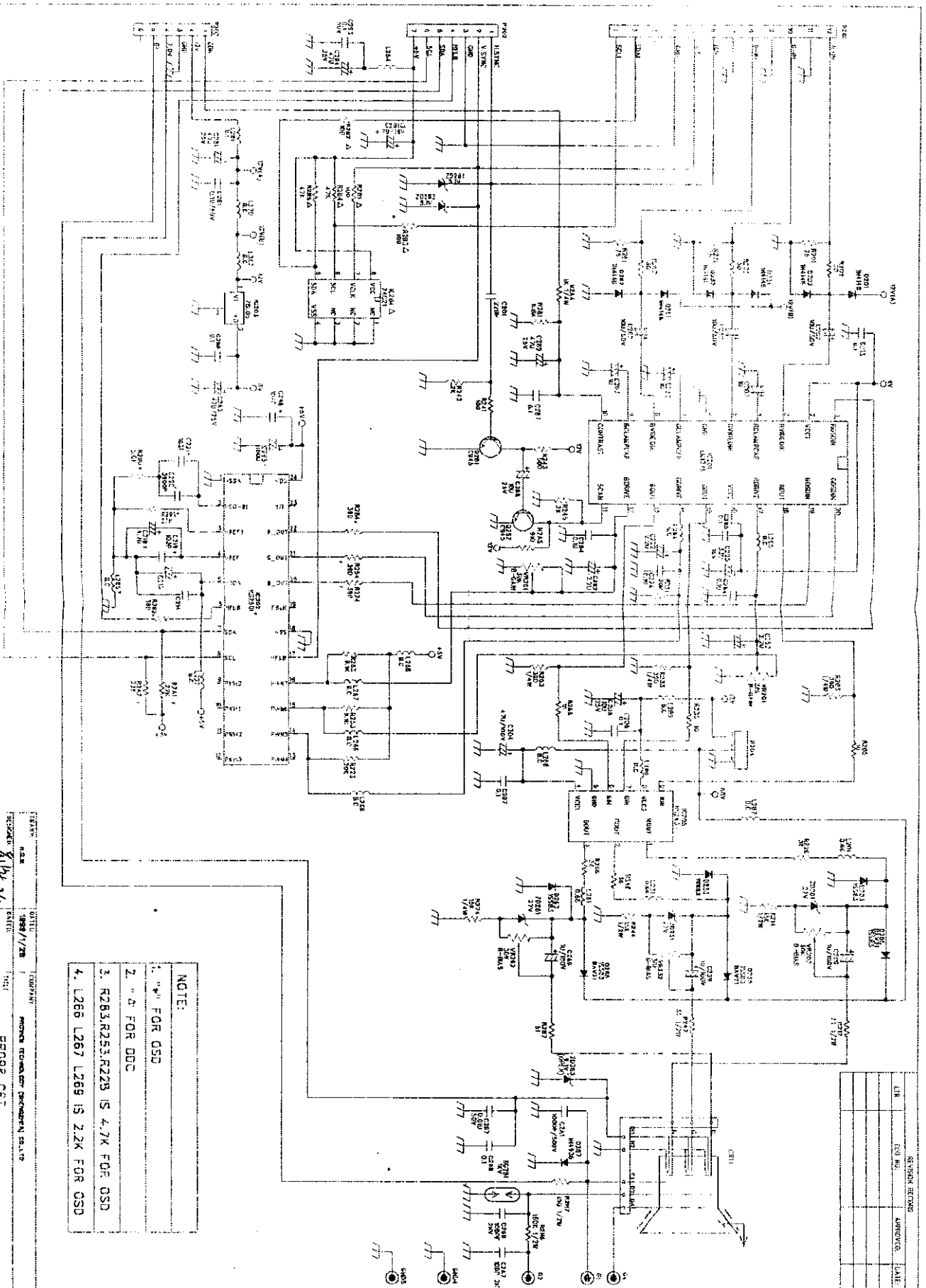
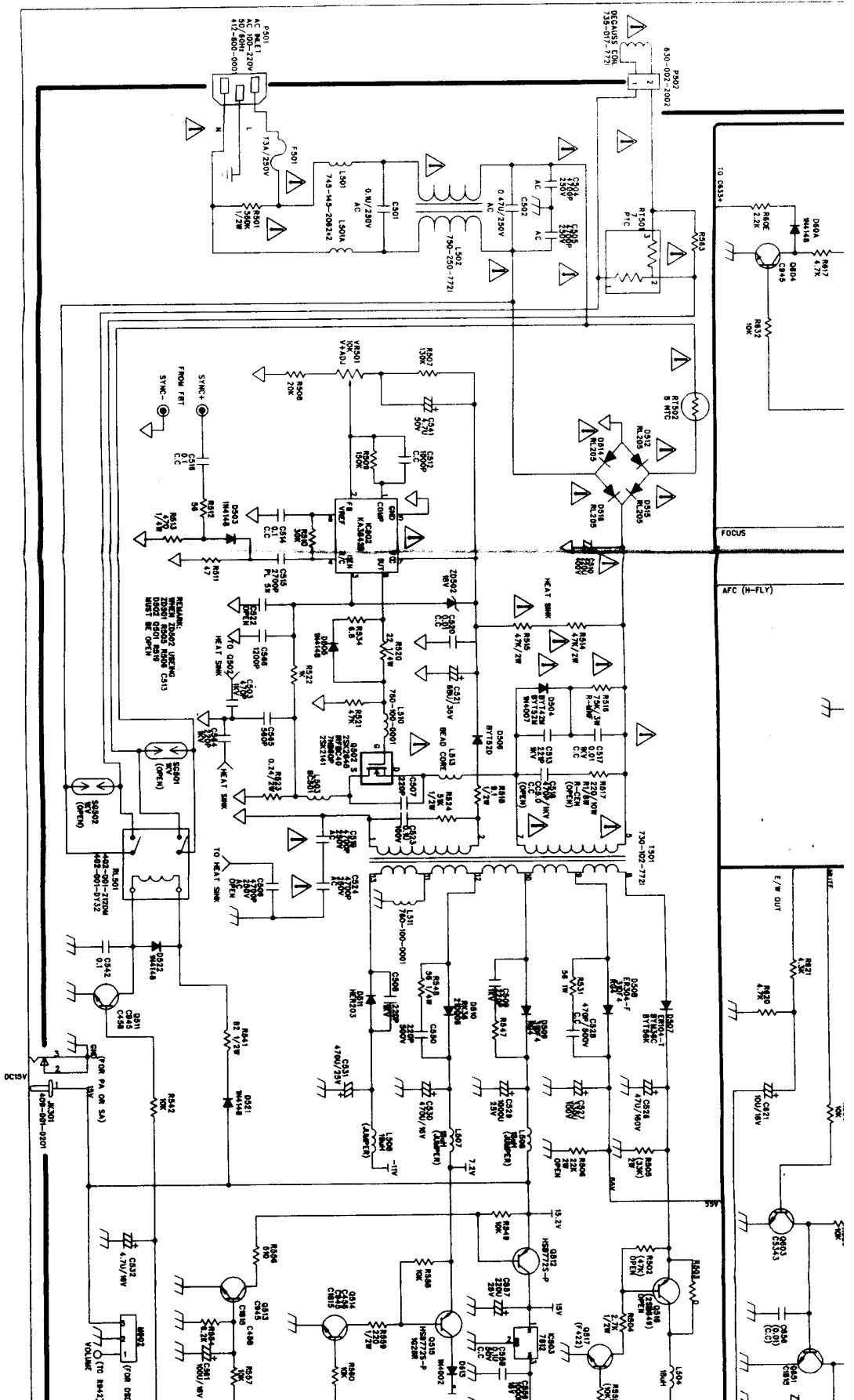


FCC ID: JTE572



NOTE:
 1. " " FOR OSD
 2. " Δ FOR OBC
 3. R283, R253, R228 IS 4.7K FOR OSD
 4. L266 L267 L269 IS 2.2K FOR OSD

| | |
|-------------|-----------|
| REV | A |
| DATE | 1/1/72 |
| DESIGNED BY | 8/1/71 |
| CHECKED BY | 8/1/71 |
| DATE | 8/1/71 |
| PROJECT | FR092 CAT |
| FRONT SHEET | 1 |
| BACK SHEET | 1 |
| SHEET | 1 |



P301
AC MCT 120W
50/60Hz
412-800-0001

DEGAUSS CON
750-017-7721

TO Q313

FOCUS

AFC (H-FLY)

TO HEAT SINK

TO HEAT SINK

TO HEAT SINK

TO HEAT SINK

TO HEAT SINK

TO HEAT SINK

TO HEAT SINK

TO HEAT SINK

TO HEAT SINK

TO HEAT SINK

TO HEAT SINK

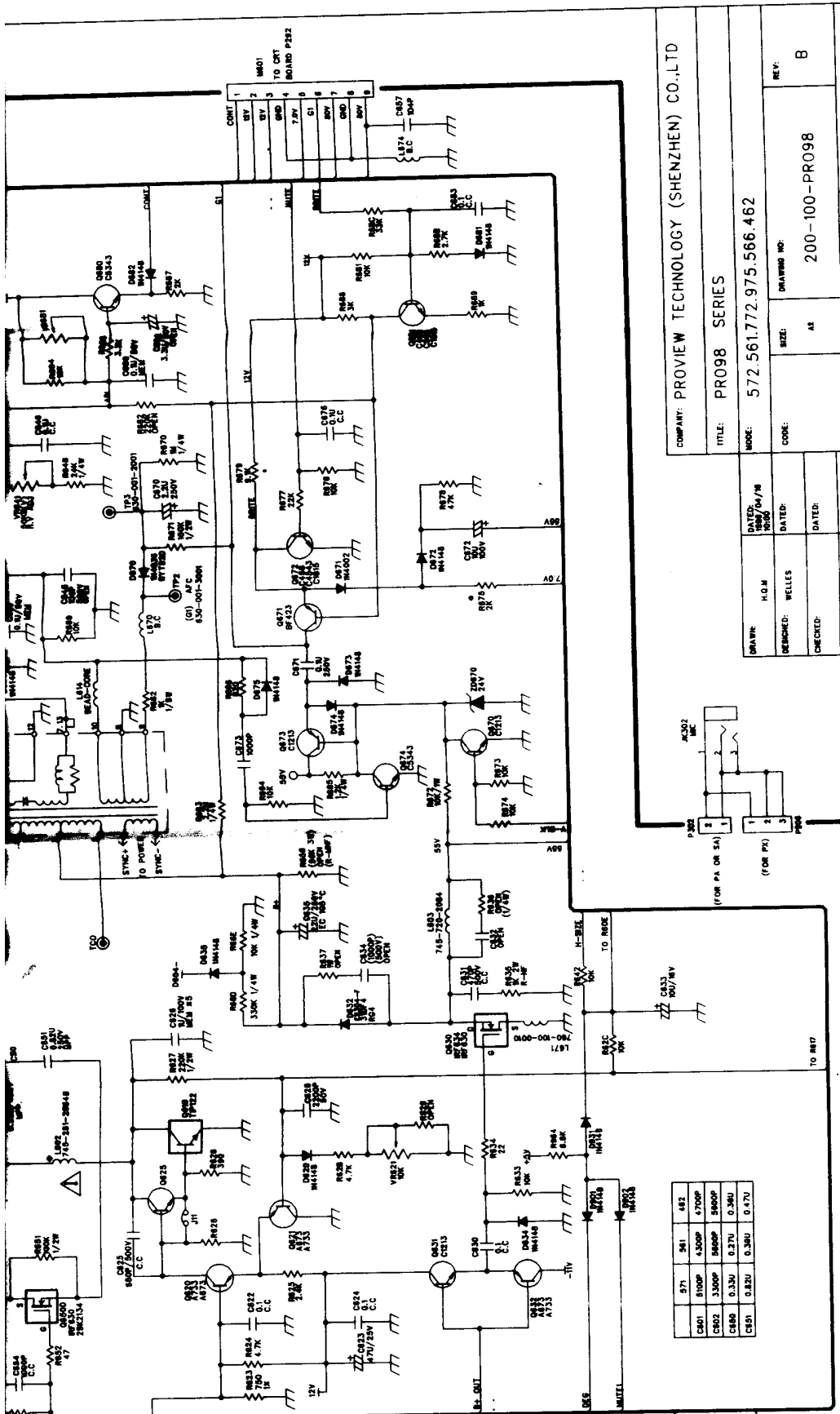
TO HEAT SINK

TO HEAT SINK

TO HEAT SINK

TO HEAT SINK

TO HEAT SINK



COMPANY: PROVIEW TECHNOLOGY (SHENZHEN) CO.,LTD

TITLE: PRO98 SERIES

MODEL: 572.561772.975.566.462

| DATE: | DATE: | DATE: | DATE: |
|------------------|------------------|------------------|------------------|
| DATE: 1998/04/16 | DATE: 1998/04/16 | DATE: 1998/04/16 | DATE: 1998/04/16 |

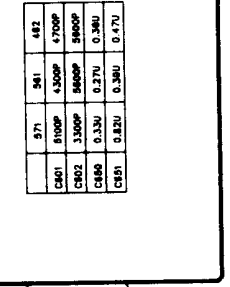
| | |
|-----------|--------|
| DESIGNED: | WELLES |
| CHECKED: | |
| APPROVED: | |
| DRAWN: | H.Q.M |

FILE NAME: PRO98A.SCH

SHEET: 1 OF 1

| | | | |
|-------|-------|---------------|------|
| CODE: | SIZE: | DRAWING NO: | REV: |
| AS | AS | 200-100-PRO98 | B |

| | | |
|------|-------|-------|
| 571 | 581 | 682 |
| C801 | 8300P | 4700P |
| C802 | 1300P | 8600P |
| C809 | 0.330 | 0.270 |
| C851 | 0.820 | 0.390 |
| | | 0.470 |



FCC ID: IJE572

